



## Manual Drop Arm Barriers



### General Description

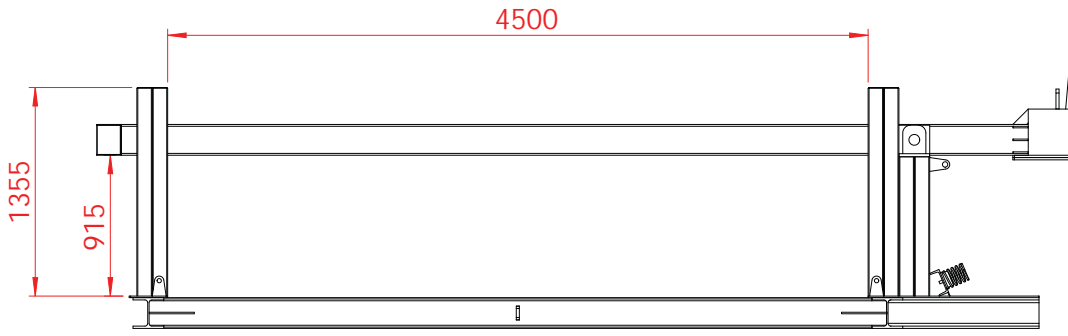
Manual Drop Arm Barriers are designed especially for entrances where there is a threat of suicide vehicle attack, or for the entrances that have high security requirements. This product is preferred especially at sites where there is no electricity. Besides it's definitely more economical when compared to hydraulic driven barriers. As the control of the manual drop arm barrier is by manpower, the vehicle traffic may slow down but from security point of view, manual drop arm barriers have the same strength as the hydraulic driven barriers.

### STRUCTURE AND OPERATION

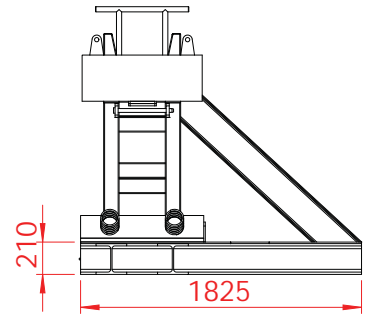
The arm of the barrier which is called the "crash beam" is supported by two "support columns" in both ends when closed. Drive of the barrier is manual, i.e. by manpower. To ease the usage, a counterweight mechanism is used in the system. The structure is extremely strong and crash rated. Required foundation depth is around 500mm. This manual drop arm barrier requires only 15kg force to raise or lower. Therefore, the manual drop arm barrier can be used by anyone, the guard doesn't have to be a strong person. Mechanism contain a locking unit which accepts a padlock for securing the barrier when it is in the "UP" or "DOWN" position. Steel construction is either sand blasted, 3 layer primary coated and yellow/black painted or hot dip galvanised, in order to prevent corrosion. The unit comes as one piece, which enables a very easy and quick installation.

### ENVIRONMENTAL CONDITIONS

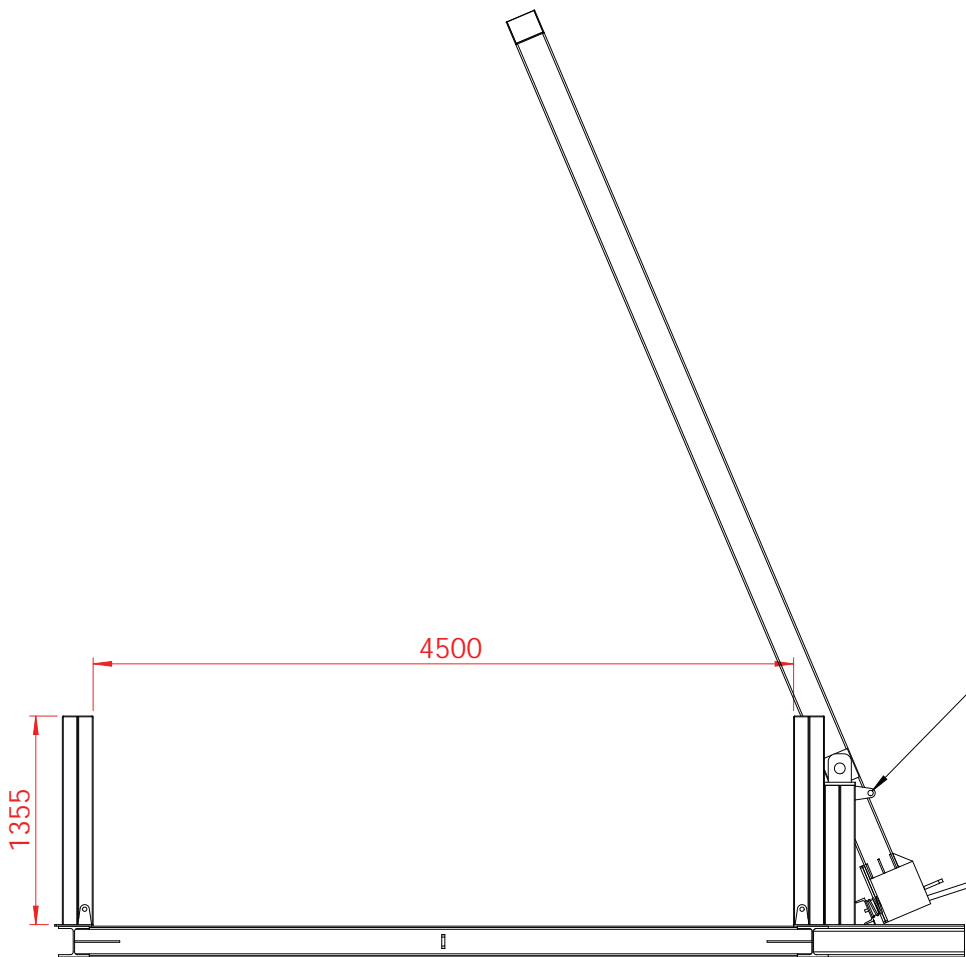
Between -20°C and +65°C, %95 non condensing humidity.



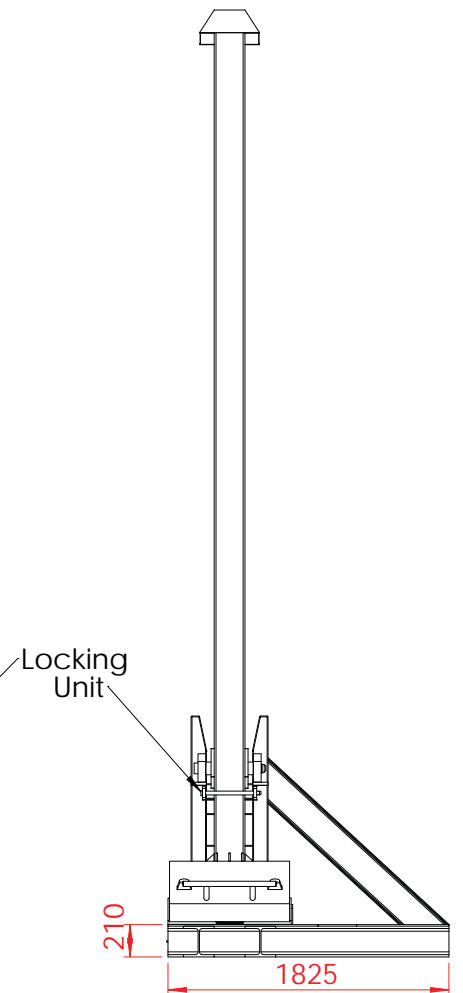
FRONT VIEW (Close)



SIDE VIEW (Close)



FRONT VIEW (Open)



SIDE VIEW (Open)