



## Flashing Lamp

### General Description

Led flashing lamp.

#### SPECIFICATION

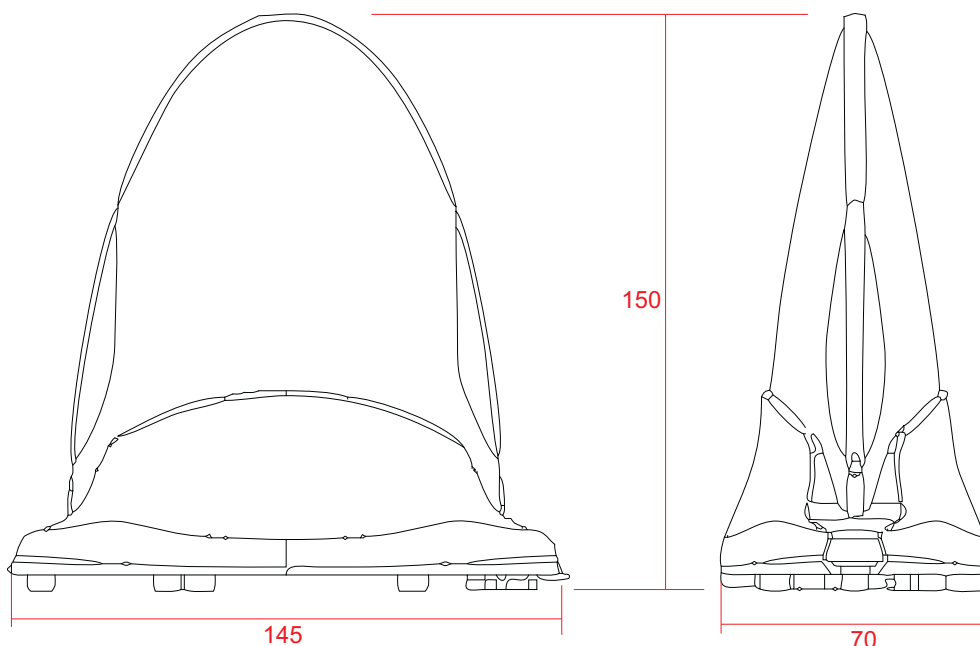
**OPERATING VOLTAGE** : 24V AC/DC - 220V AC

**AVERAGE CURRENT CONSUMPTION** : 75mA

**OPERATING MODES** : On-Off / One-way Flashing / Two-way Flashing

**INSTALLATION** : Flat surface / Pipe with a diameter of 25mm

**OPERATING TEMPERATURE** : -20 C°, +55 C°



FRONT VIEW

SIDE VIEW